

# SERIES 16 REPLACEMENT CHASSIS

American Air Filter Enersaver Type 16 and Type 16 Hydronic, IslandAire 16 and RetroAire RC-10 Series



ADIRONDACK-AIRE



The Adirondack-Aire 16 Series zerOzone chassis provides environment friendly, high efficiency cooling and heating where individual, quiet control is a priority. This application flexible unit is also a direct replacement for American Air Filter Enersaver Type 16 and Type 16 Hydronic, IslandAire 16 and RetroAire RC-10 chassis.

The chassis is a part of a complete system, which consists of the chassis, wall sleeve, outdoor louver, room cabinet, and sometimes a heat section. The chassis contains the compressor, indoor and outdoor heat exchangers, fan motors and fans, and controls.

The 16 is dimensionally compatible with the original for a fast, easy, and trouble-free installation. Quality components, careful design and testing and the latest in environment friendly technology mean long unit life, user satisfaction, and lower energy costs.

Consider the extensive list of standard features which includes: Rust-Block\* corrosion protection system, evaporator freeze protection, permanent electrostatic air filter, pull handle, and high-pressure over protection. Adirondack-Aire is the replacement solution that the competition can't match. Cold Point Corp. backs the 16 with a customer friendly one-year parts and labor warranty and five-year compressor warranty, (see Warranty document for details).

\* Rust-Block corrosion protection system consists of: Heavy gauge galvanized steel construction with powder paint finished condenser and evaporator pans; galvanized or aluminum condenser fan, stainless steel compressor and condenser motor studs; Magnaguard and/or stainless steel screws and fasteners.

## APPLICATION & BENEFITS



### FAST AND EASY REPLACEMENT

The Adirondack-Aire 16 series zerOzone replacement chassis fits the existing wall sleeves and room cabinets without modification. Because the chassis dimensions and construction details are like the original, replacement work is fast and easy. A chassis pull handle is provided to facilitate easy removal and handling. Using Adirondack-Aire replacements eliminates the need for room and exterior wall renovation. The 16 series is the solution that gets your property back in service quickly and at the lowest total cost. Choose the optional room cabinet to give the unit a brand new look and improve room aesthetics.



### DAMAGE PROTECTION

A premium feature usually found only in expensive commercial systems, the standard high-pressure switch and evaporator freeze protection stop unit operation before damage occurs, should airflow become reduced or obstructed due to dirty coils, obstructed airflow, or motor failure or lock up. A slinger condenser fan or centrifugal blower with condensate pick-up and blow-thru airflow pattern re-evaporates condensate. Condensate re-evaporation and the Rust-Block system assure a stain-free building exterior.



### OPTIONS AND ACCESSORIES

- Electric heat
- Control options
- Motorized fresh air
- 117V and 265/277V (availability varies by model size)

# SERIES 16 REPLACEMENT CHASSIS

American Air Filter Enersaver Type 16 and Type 16 Hydronic, IslandAire 16 and RetroAire RC-10 Series



ADIRONDACK AIRE

## Performance Ratings

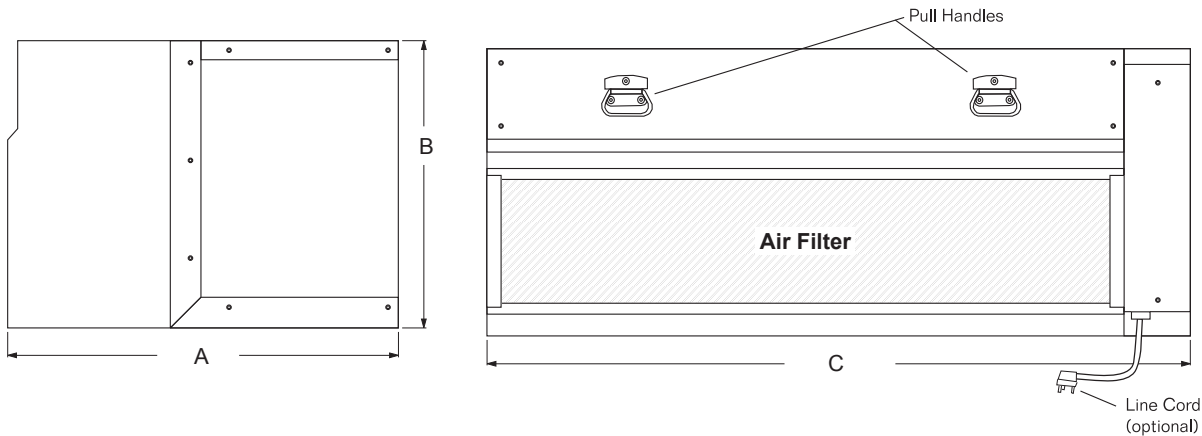
Model	Cool Btuh	Sens Btuh	EER	Cond. Fan Type/ Air Direction	CFM Hi/Lo*	Refrigerant
16-09	8,500	7,100	9.0	Axial/Blow Thru	355/285	R-410A
16-12	12,700	9,000	10.3	Axial/Blow Thru	365/285	R-410A
16-15	14,600	10,800	8.3	Centrifugal/ Blow Thru	495/395	R-410A

Continuous engineering improvements may result in performance changes without notice.

\* Dry coil airflow

## Unit Sizes

Model	A	B	C	Chassis Weight (lbs)
	Inches			
16-09	19 1/8	14 1/16	34 7/16	115
16-12	19 1/8	14 1/16	34 7/16	115
16-15	19 1/8	14 1/16	34 7/16	140



Rome, New York 13440

Phone (315) 339-2331 • Fax (315) 339-2358

[www.ColdPointCorp.com](http://www.ColdPointCorp.com)

©2017 Cold Point Corp. All rights reserved.



CPL054 rev. 08-17