

SERIES PIN REPLACEMENT CHASSIS

New Construction or Renovation



ADIRONDACK-AIRE



The Adirondack-Aire PIN Series zerOzone chassis provides environment friendly, high efficiency cooling and heating where individual, quiet control is a priority. This application flexible unit is a small footprint vertical configuration thru-the-wall air conditioning system or heat pump (PTAC/PTHP) for new construction or property renovation. This highly flexible design typically fits into the corner of a room and serves one or more zones/rooms.

A complete system consists of the chassis, a wall sleeve with outdoor louver, factory or site-built room cabinet with return air panel, wall thermostat, flex duct and supply air grille. The room cabinet can be a site-built closet with factory-available return air/access panel. This design provides a barrier between the unit and room occupants, thereby minimizing sound levels. The ducted air delivery system maximizes comfort.

Proven technology, quality components, careful design and testing, and the latest in environment friendly technology mean long unit life, user satisfaction, and lower energy costs. Additional features include Rust-Block* corrosion protection system, slinger condenser fan, evaporator freeze protection, and evaporator fan post purge control. Adirondack-Aire is the choice that the competition can't match. Cold Point Corp. backs the PIN with a customer friendly one-year parts and labor warranty and five-year compressor warranty, (see Warranty document for details).

Heat pumps are available and include a thermostatic expansion valve, suction accumulator and compressor crankcase heater. Heat pump heating is single-stage operation. Manual fresh air damper is standard on all models. The standard one inch disposable fiberglass air filter is chassis mounted.

* Rust-Block corrosion protection system consists of: heavy gauge G90 rated galvanized steel construction, plastic or aluminum condenser fan, stainless steel compressor and condenser motor studs, powder painted drain pan, and Magnaguard and/or stainless steel screws and fasteners.

APPLICATION & BENEFITS



QUIET COMFORT

The Adirondack-Aire PIN series vertical PTAC/PTHP offers the ease of installation, simplicity, and flexibility of a PTAC but offers major advances in quiet, comfort, and occupant satisfaction. The small footprint of this unit maximizes usable room space. The conventional wall thermostat control eliminates confusing buttons and dials and improves temperature control and occupant comfort. High efficiency compressors provide demonstrated reliability and low sound levels. The standard manual fresh air damper introduces fresh air to the room.



DAMAGE PROTECTION

A slinger ring condenser fan provides a blow-thru airflow pattern that re-evaporates condensate, eliminating the need, cost, and maintenance of internal drains. The standard evaporator freeze protection stops unit operation before damage occurs, should airflow become reduced or obstructed due to dirty coils, obstructed airflow, or motor failure or lock up. Evaporator blower post purge control improves system efficiency. Condensate re-evaporation and the Rust-Block system assure a stain-free building exterior. The outdoor louver is an architectural style fabricated using rust-free clear anodized aluminum components.

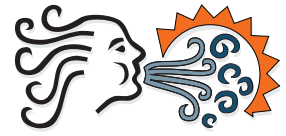


OPTIONS AND ACCESSORIES

- Heat pump
- Hydronic heat assembly
- Electric heat
- Chassis stand
- Motorized fresh air
- Return air/ access panel
- Wall thermostat
- Internal drain
- Wall sleeves
- Louvers
- Control options
- LCDI line cord

SERIES PIN REPLACEMENT CHASSIS

New Construction or Renovation



ADIRONDACK AIR

Performance Ratings

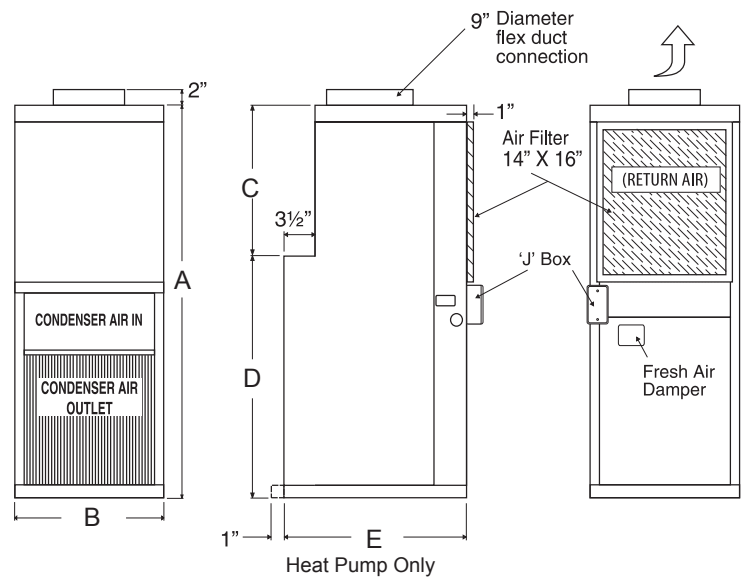
Model	Cool Btuh	Sens Btuh	EER	Heat Pump Cooling Btuh	Heat Pump Sensible Btuh	EER	Heat Pump Heating Btuh	COP	CFM* (Nominal)	Cond. Fan Type/ Air Direction	Refrigerant
PIN-09	9,400	6,800	9.5	9,800	6,600	10.4	9,200	3.0	350	Axial/ Blow Thru	R-410A
PIN-12	11,200	7,700	9.5	11,500	7,700	10.2	11,200	3.0	325		R-410A
PIN-15	14,600	10,800	9.0	14,500	10,300	9.4	15,000	3.0	500		R-410A

Continuous engineering improvements may result in performance changes without notice.

* Dry coil airflow

Unit Sizes

Model	A	B	C	D	E	Chassis Weight (lbs)
	Inches					
PIN-09	43	16 1/4	16 1/2	26 1/2	20	112
PIN-12	43	16 1/4	16 1/2	26 1/2	20	125
PIN-15	43	16 1/4	16 1/2	26 1/2	20	145



Rome, New York 13440

Phone (315) 339-2331 • Fax (315) 339-2358

www.ColdPointCorp.com

©2017 Cold Point Corp. All rights reserved.



CPL064 rev. 08-17