

SERIES HCC REPLACEMENT CHASSIS

Singer/McQuay HCC Series



ADIRONDACK-AIRE



The Adirondack-Aire HCC series zerOzone replacement chassis provides environment friendly, high efficiency cooling and heating where individual, quiet control is a priority. This application flexible unit is a direct replacement for Singer/McQuay HCC series vertical stacked water source heat pump chassis. The chassis is a part of a complete system, which consists of the chassis, blower section, control box, and furred-in room cabinet with risers. The chassis contains the compressor, air side heat exchanger, water side heat exchanger, Jones plug, and control panel and safety components.

The HCC series has two chassis sizes, small (models 090 and 120), and large (models 180 and 240). Both chassis sizes are dimensionally identical to the original for a fast, easy, and trouble-free installation. Quality components, careful design and testing and the latest in environment friendly technology mean long unit life, user satisfaction, and lower energy costs. Consider the extensive list of standard features which includes: powder painted drain pan, refrigerant circuit access ports, air filter, pull handle, compressor protected suction accumulator, evaporator freeze protection, water coil freezestat, high-pressure over protection, and lock out circuit*. Adirondack-Aire is the replacement solution for upgrading old, worn out, inefficient original chassis. Cold Point Corp. backs the HCC with a customer friendly one-year parts and labor warranty and five-year compressor warranty, (see Warranty document for details).

* Model specific. May include lock out circuit, five minute anti-short cycle timer or interconnect control utilizing control panel logics.

APPLICATION & BENEFITS



FAST AND EASY REPLACEMENT

The Adirondack-Aire HCC series zerOzone replacement chassis fits the existing Singer/McQuay room cabinets and works with the existing blower section and control box without modification. Because the chassis dimensions and construction details are like the original, replacement work is fast and easy. The chassis installs without the need for water loop shut-down or draining. Water, drain and electrical connections line right up to the original installation. The electrical connectors plug directly into the control box connectors. A chassis pull handle is provided to facilitate easy removal and handling. Using Adirondack-Aire replacements eliminates the need for room renovation, redecorating, and piping changes and is the solution that gets your property back in service quickly and at the lowest total cost.



DAMAGE PROTECTION

The standard high-pressure switch and evaporator coil freeze protection stop unit operation before damage occurs, should airflow become reduced or obstructed due to dirty coils, obstructed airflow, or motor failure or lock up. A freezestat protects the water coil from freeze damage due to water temperature or flow problems. The water coil is designed for low water-side pressure drop, eliminating potential pump sizing and water flow problems.



OPTIONS AND ACCESSORIES

- Blower sections
- Return air panels
- Control options
- 115V, 265V/277V (Availability varies by model sizes)
- Flow control valve
- Hose kits

SERIES HCC REPLACEMENT CHASSIS

Singer/McQuay HCC Series



ADIRONDACK AIR

Performance Ratings

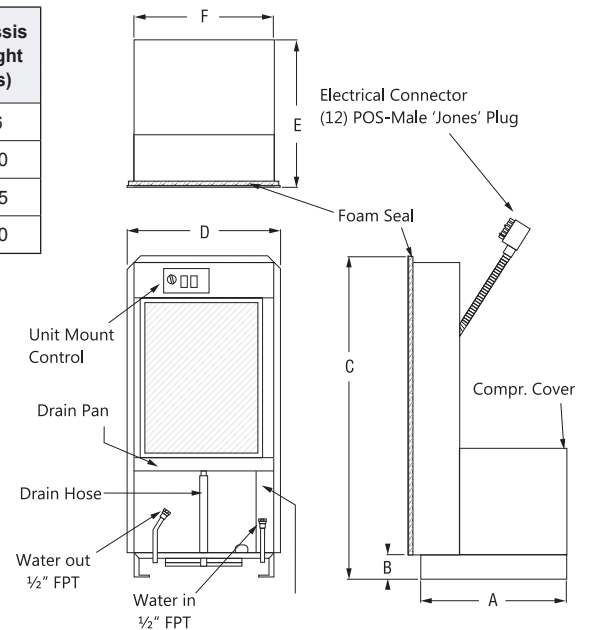
Model	Cool* Btuh	Sens Btuh	EER*	Heat* Btuh	COP*	CFM Hi/Low	GPM	Coil PD	Refrigerant
HCC-10	9,900	7,600	13.3	11,700	4.37	300	2.5	1.8'	R-410A
HCC-12	11,800	8,600	13.5	13,100	4.20	350/300	3.0	2.5'	R-410A
HCC-20	18,500	13,250	13.8	21,950	4.50	580/430	5.0	4.0'	R-410A
HCC-24	23,000	17,000	13.6	27,000	4.4	830/680	6.0	6.5'	R-410A

Continuous engineering improvements may result in performance changes without notice.

* Includes 1250Btu/1000 CFM fan heat and 365w/1000 CFM fan power. Fan power and pumping corrections are not included for rating purposes. 208v data shown. 115v and 265v ratings may vary.

Unit Sizes

Model	A	B	C	D	E	F	Filter Size	Chassis Weight (lbs)
	Inches							
HCC-10	13 3/4	2 3/4	39	15 1/4	14 3/4	14 1/4	14 x 16 x 1	76
HCC-12	13 3/4	2 3/4	39	15 1/4	14 3/4	14 1/4	14 x 16 x 1	120
HCC-20	16 1/2	3	39	18 1/4	17 5/8	17 1/8	17 x 18 x 1	145
HCC-24	16 1/2	3	39	18 1/4	17 5/8	17 1/8	17 x 18 x 1	160



Rome, New York 13440

Phone (315) 339-2331 • Fax (315) 339-2358

www.ColdPointCorp.com

©2017 Cold Point Corp. All rights reserved.



CPL039 rev. 08-17