

# SERIES WPV REPLACEMENT CHASSIS

Command-Aire WPV Series, Trane WPR Series



ADIRONDACK-AIRE



The Adirondack-Aire WPV Series zerOzone replacement chassis provides environment friendly, high efficiency cooling and heating where individual, quiet control is a priority. This application flexible unit is also a direct replacement\* for Command-Aire WPV and Trane WPR series vertical stacked water source heat pump chassis. The chassis is a part of a complete system, which consists of the chassis, blower section, control box, and furred-in room cabinet with risers. The chassis contains the compressor, air side heat exchanger, water side heat exchanger, and refrigerant circuit control and safety components.

The WPV is dimensionally identical to the original for a fast, easy, and trouble-free installation. Quality components, careful design and testing and the latest in environment friendly technology mean long unit life, user satisfaction, and lower energy costs.

Consider the extensive list of standard features which includes: powder painted drain pan, refrigerant circuit access ports, pull handle, compressor protected suction accumulator, evaporator freeze protection, water coil freezestat, high-pressure over protection, and lockout circuit\*\*. Adirondack-Aire is the replacement solution for upgrading old, worn out, inefficient original chassis. Cold Point Corp. backs the WPV with a customer friendly one-year parts and labor warranty and five-year compressor warranty, (see Warranty document for details).

\* Various wiring configurations were produced. See specs and price sheet for details.

\*\* Model specific. May include lockout circuit, five minute anti-short cycle timer or interconnect control utilizing control panel logics.

## APPLICATION & BENEFITS



### FAST AND EASY REPLACEMENT

The Adirondack-Aire WPV series replacement chassis fits the existing Command-Aire and Trane room cabinets and works with the existing blower section and control box without modification. Because the chassis dimensions and construction details are like the original, replacement work is fast and easy. The chassis installs without the need for water loop shut-down or draining. Water, drain and electrical connections line right up to the original installation. The electrical connectors plug directly into the control box connectors. A chassis pull handle is provided to facilitate easy removal and handling. Using Adirondack-Aire replacements eliminates the need for room renovation, redecorating, and piping changes and is the solution that gets your property back in service quickly and at the lowest total cost.



### DAMAGE PROTECTION

The standard high-pressure switch and evaporator coil freeze protection stop unit operation before damage occurs should airflow become reduced or obstructed due to dirty coils, obstructed airflow, or motor failures or lock-up. A freezestat protects the water coil from freeze damage due to water temperature or flow problems. The water coil is designed for low water-side pressure drop eliminating potential pump sizing and water flow problems.



### OPTIONS AND ACCESSORIES

- Blower sections
- Return air panels
- Control options
- 115V, 265V/277V (Availability varies by model sizes)
- Flow control valve
- Hose kits

# SERIES WPV REPLACEMENT CHASSIS

Command-Aire WPV Series, Trane WPR Series



ADIRONDACK AIR

## Performance Ratings

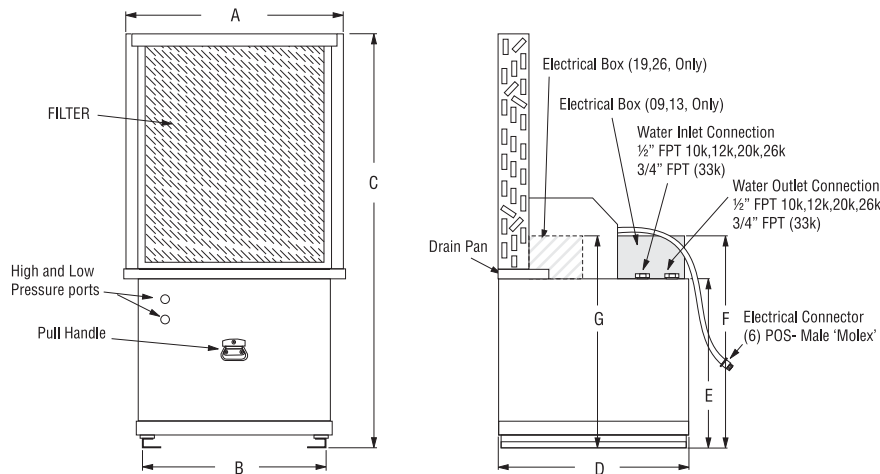
Model	Cool* Btuh	Sens Btuh	EER*	Heat* Btuh	COP*	CFM (Design)	GPM	Coil PD	Refrigerant
WPV-10	9,900	7,700	14.3	12,000	4.7	360	2.5	1.8'	R-410A
WPV-12	12,500	8,800	13.9	14,900	4.4	400	3.0	2.5'	R-410A
WPV-20	18,900	14,300	13.1	25,600	4.7	640	5.0	3.9'	R-410A
WPV-26	25,900	20,700	14.5	28,900	4.4	800	6.5	7.4'	R-410A
WPV-33	36,400	26,600	14.5	42,600	4.4	1100	8.3	3.3'	R-410A

Continuous engineering improvements may result in performance changes without notice.

\* Includes 1250Btu/1000 CFM fan heat and 365w/1000 CFM fan power. Fan power and pumping corrections are not included for rating purposes. 208v data shown. 115v & 265v ratings may vary.

## Unit Sizes

Model	A	B	C	D	E	F	G	Shipping Weight (lbs)
	Inches							
WPV-10	13 1/2	12 1/2	32 5/8	14 1/2	14 3/8	17 7/8	N/A	69
WPV-12	13 1/2	12 1/2	32 5/8	14 1/2	14 3/8	17 7/8	N/A	70
WPV-20	17 1/2	15 1/4	33 5/8	16 5/8	15 3/8	N/A	17 7/8	87
WPV-26	17 3/4	15 1/4	34 1/2	16 5/8	15 3/8	N/A	17 7/8	129
WPV-33	21 7/16	19	38 3/8	16 5/8	16 3/32	19 5/8	N/A	152



Rome, New York 13440

Phone (315) 339-2331 • Fax (315) 339-2358

[www.ColdPointCorp.com](http://www.ColdPointCorp.com)

©2017 Cold Point Corp. All rights reserved.



CPL042 rev. 08-17