

ADIRONDACK ▲ AIRE

Series 16

American Air Filter Ersaver Type 16 and Type 16 Hydronic, IslandAire 16 and RetroAire RC-10 Series

Application Flexible | Fast and Easy Replacement | Damage Protection



ADIRONDACK-AIRE 16 CHASSIS SERIES

Replaces American Air Filter Enersaver Type 16 and Type 16 Hydronic, IslandAire 16 and RetroAire RC-10

The Adirondack-Aire 16 Series zerOzone chassis provides environment friendly, high efficiency cooling and heating where individual, quiet control is a priority. This application flexible unit is also a direct replacement for American Air Filter Enersaver Type 16 and Type 16 Hydronic, IslandeAire 16 and RetroAire RC-10 chassis. The chassis is a part of a complete system, which consists of the chassis, wall sleeve, outdoor louver, room cabinet, and sometimes a heat section. The chassis contains the compressor, indoor and outdoor heat exchangers, fan motors and fans, and controls.

The 16 is dimensionally compatible with the original for a fast, easy, and trouble-free installation. Quality components, careful design and testing and the latest in environment friendly technology mean long unit life, user satisfaction, and lower energy costs. Consider the extensive list of standard features which includes: Rust-Block* corrosion protection system, evaporator freeze protection, permanent electrostatic air filter, pull handle, and high-pressure over protection. Adirondack-Aire is the replacement solution that the competition can't match. Cold Point Corp. backs the 16 with a customer friendly one-year parts and labor warranty and five-year compressor warranty, (see Warranty document for details).

* Rust-Block corrosion protection system consists of: Heavy gauge galvanized steel construction with powder paint finished condenser and evaporator pans; galvanized or aluminum condenser fan, stainless steel compressor and condenser motor studs; Magnaguard and/or stainless steel screws and fasteners.

Standard Features:

- Made in the USA
- Designed for easy installation and compatibility. Dimensionally compatible with the original American Air Filter, IslandAire and RetroAire chassis
- Exclusive Rust-Block corrosion protection
- High efficiency PSC fan motors with built-in temperature protection
- ETL approved
- Quiet, durable, and efficient compressor with built-in pressure and temperature protection
- Heavy gauge G60 galvanized steel construction with powder coat painted condenser and evaporator pans
- High efficiency copper tube-aluminum fin evaporator and condenser coils
- Slinger condenser fan
- Condensate re-evaporation
- High pressure switch with manual reset
- Frost-free low ambient cooling**
- Electrostatic air filter
- Chassis pull handle facilitates easy chassis removal and handling
- Capillary expansion
- Precision charged with zerOzone R-410A refrigerant
- LCDI line cord (ex. 265V)

** Cooling operation locks out at 34°F outdoor temperature and restarts at 55° F.

Electrical Data*

| Model | Compressor Type | Voltage Volt-Hz-Ph | Evaporator Motor | | Condenser Motor | | Compressor | | Total Amps | Ckt Amps | Max Fuse | Min Volts |
|-------|-----------------|--------------------|------------------|------|-----------------|------|------------|------|------------|----------|----------|-----------|
| | | | Amps | HP | Amps | HP | RLA | LRA | | | | |
| 16-09 | Rotary | 115/60/1 | 1.2 | 1/10 | 1.2 | 1/10 | 8.0 | 50.0 | 10.4 | 12.4 | 20 | 104 |
| 16-09 | Rotary | 208/230/60/1 | 0.6 | 1/10 | 0.6 | 1/10 | 3.7 | 22.0 | 4.9 | 5.8 | 15 | 197 |
| 16-09 | Rotary | 265/60/1 | 0.6 | 1/10 | 0.6 | 1/10 | 3.5 | 22.0 | 4.7 | 5.6 | 15 | 240 |
| 16-12 | Rotary | 115/60/1 | 1.2 | 1/10 | 1.2 | 1/10 | 10.5 | 57.0 | 12.9 | 15.5 | 25 | 104 |
| 16-12 | Rotary | 208/230/60/1 | 0.6 | 1/10 | 0.6 | 1/10 | 5.2 | 26.0 | 6.4 | 7.7 | 15 | 197 |
| 16-12 | Rotary | 265/60/1 | 0.6 | 1/10 | 0.6 | 1/10 | 4.3 | 25.0 | 5.5 | 6.6 | 15 | 240 |
| 16-15 | Rotary | 208/230/60/1 | 0.6 | 1/10 | 1.6 | 1/4 | 6.6 | 33.0 | 8.8 | 10.5 | 15 | 197 |
| 16-15 | Rotary | 265/60/1 | 0.6 | 1/10 | 1.6 | 1/4 | 5.6 | 28.0 | 7.8 | 9.2 | 15 | 240 |

* If optional electric heat is selected see Electric Heat Ratings Table: Total Amps, Ampacity and Fuse size is the larger value.



16 SERIES CHASSIS APPLICATION & BENEFITS

Fast and Easy Replacement

The Adirondack-Aire 16 series zerOzone replacement chassis fits the existing wall sleeves and room cabinets without modification. Because the chassis dimensions and construction details are like the original, replacement work is fast and easy. A chassis pull handle is provided to facilitate easy removal and handling. Using Adirondack-Aire replacements eliminates the need for room and exterior wall renovation. The 16 series is the solution that gets your property back in service quickly and at

the lowest total cost. Choose the optional room cabinet to give the unit a brand new look and improve room aesthetics.

Damage Protection

A premium feature usually found only in expensive commercial systems, the standard high-pressure switch and evaporator freeze protection stop unit operation before damage occurs, should airflow become reduced or obstructed due to dirty coils, obstructed airflow, or motor failure or lock up. A slinger condenser fan or centrifugal blower with condensate

pick-up and blow-thru airflow pattern re-evaporates condensate. Condensate re-evaporation and the Rust-Block system assure a stain-free building exterior.

Options and Accessories

- Electric heat
- Control options
- Motorized fresh air
- 117V and 265/277V (availability varies by model size)

Performance Ratings

| Model | Cool Btuh | Sens Btuh | EER | Heat Btuh | COP | CFM Hi/Lo | GPM | Coil PD | Refrigerant |
|---------------|-----------|-----------|------|-----------|-----|-----------|-----|---------|-------------|
| WCH / WMH-08 | 7,800 | 6,000 | 14.0 | 9,200 | 4.4 | 300/250 | 2.0 | 1.2' | R-410A |
| WCH / WMH-10* | 10,600 | 8,000 | 13.6 | 12,100 | 4.4 | 395/330 | 2.5 | 1.8' | R-410A |
| WCH / WMH-12* | 11,500 | 9,400 | 12.4 | 14,000 | 4.3 | 400/350 | 3.0 | 2.5' | R-410A |
| WCH / WMH-15* | 14,700 | 10,700 | 13.8 | 16,100 | 4.3 | 475/400 | 3.8 | 4.6' | R-410A |
| WCH / WMH-18* | 17,800 | 13,700 | 13.1 | 21,000 | 4.4 | 540/420 | 4.5 | 3.3' | R-410A |

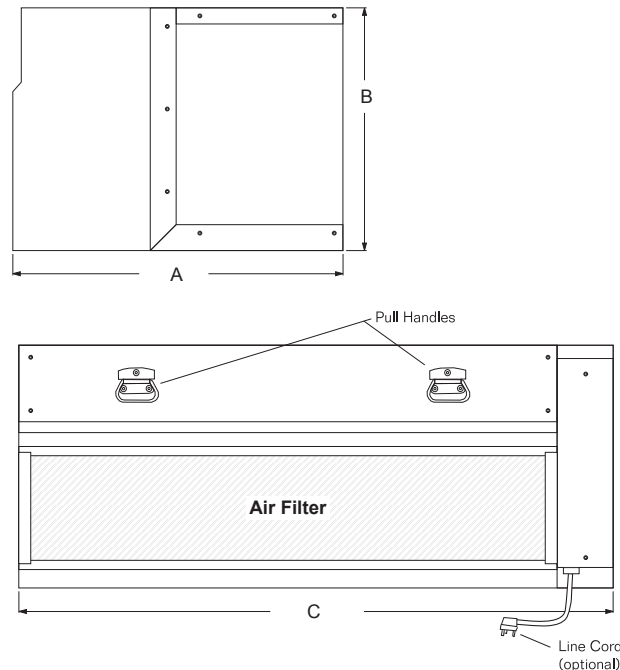
NEMA Configurations

Non Locking Plugs/Receptacles

| Voltage | 125V | 250V | 277V |
|-----------|-----------|-----------|-----------|
| 15A Recp. | 5-15R | 6-15R | 7-15R |
| 15A Plug | 5-15P | 6-15P | 7-15P |
| 20A Recp. | 5-20R | 6-20R | 7-20R |
| 20A Plug | 5-20P | 6-20P | 7-20P |
| 30A Recp. | 5-30R | 6-30R | 7-30R |
| 30A Plug | 5-30P | 6-30P | 7-30P |

Unit Sizes

| Model | A | B | C | Chassis Weight (lbs) |
|-------|--------|---------|---------|----------------------|
| | Inches | | | |
| 16-09 | 19 1/8 | 14 1/16 | 34 7/16 | 115 |
| 16-12 | 19 1/8 | 14 1/16 | 34 7/16 | 115 |
| 16-15 | 19 1/8 | 14 1/16 | 34 7/16 | 140 |



Electrical Heat Ratings (Optional)

| Heater No. (WCU) | Volt | Watts | Btuh | HTR Amps | Total HTR Amps | Min Ckt Amps | Max Fuse | Line Cord |
|------------------|------|-------|--------|----------|----------------|--------------|----------|-----------|
| 2 | 208 | 1,800 | 6,140 | 8.7 | 9.3 | 12.0 | 15 | 6-15P |
| | 230 | 2,200 | 7,500 | 9.6 | 10.2 | 13.0 | 15 | 6-15P |
| | 265 | 2,900 | 9,900 | 10.9 | 11.5 | 15.0 | 15 | N/A |
| | 277 | 3,190 | 10,900 | 11.5 | 12.1 | 15.0 | 15 | N/A |
| 3 | 208 | 2,450 | 8,350 | 11.8 | 12.4 | 16.0 | 20 | 6-20P |
| | 230 | 3,000 | 10,200 | 13.1 | 13.7 | 17.0 | 20 | 6-20P |
| | 265 | 4,000 | 13,640 | 15.1 | 15.7 | 20.0 | 20 | N/A |
| | 277 | 4,350 | 14,830 | 15.7 | 16.3 | 21.0 | 25 | N/A |
| 4 | 208 | 3,270 | 11,150 | 15.7 | 16.3 | 21.0 | 25 | 6-30P |
| | 230 | 4,000 | 13,640 | 17.4 | 18.0 | 23.0 | 30 | 6-30P |

INNOVATIVE HEATING AND COOLING SOLUTIONS

Cold Point equipment has been specified in hundreds of projects in these and other applications:
Direct Replacement | New Construction | Renovation | Commercial & Residential Solutions

Cold Point values reliability as much as you

Your Cold Point sales representative knows their reputation is on the line with every sale. Therefore, they are as personally invested in your comfort as you are, and take great pride in creating your perfect indoor environment.

Rest comfortably, knowing Cold Point stands behind our products

The Cold Point Corporation backs our products with a standard warranty that includes labor for the entire first year of ownership. Registered Limited Warranty terms include: 12 month limited warranty on components, 60 month limited warranty on all unit compressors from the date of original installation OR 15 months limited warranty on components, 63 month limited warranty on all unit compressors from the date of original sale, whichever comes first. For all coverage options and complete coverage terms, check with your local Cold Point representative for full details.

Industry-leading expertise

Cold Point Corporation is the industry-leading supplier of aftermarket comfort solutions for commercial and residential applications. We have over 18 years of experience developing OEM-style replacement products to keep you happy and comfortable. Whether it is a water source heat pump application or an air source PTAC system, Cold Point has the knowledge and products to restore your system to its original operating condition.

Reliable comfort products backed by the industry experts in OEM-style replacement units

To learn more about how the Cold Point Corporation can help you save time and money on your next project, contact your local Cold Point representative. Call **315-339-2331** to speak with one of our specialists, or e-mail your request to info@coldpointcorp.com.

Your Cold Point Representative:



510 Henry Street • Rome, New York 13440
Phone (315) 339-2331 • Fax (315) 339-2358
www.ColdPointCorp.com

©2023 Cold Point Corp. All rights reserved.



rev. 09-23 CPL021