

ADIRONDACK **AIRE**

Series HCA

Singer / McQuay HCA Series

Application Flexible | Fast and Easy Replacement | Damage Protection



ADIRONDACK-AIRE HCA CHASSIS SERIES

Replaces Singer/McQuay HCA Series

The Adirondack-Aire HCA series zerOzone replacement chassis provides environment friendly, high efficiency cooling and heating where individual, quiet control is a priority. This application flexible unit is also a direct replacement for Singer/McQuay HC, EH (models 070, 090, 120, 140, 180, and 240) series vertical stacked water source heat pump chassis. The chassis is a part of a complete system, which consists of the chassis, blower section, control box, and furred-in room cabinet with risers. The chassis contains the compressor, air side heat exchanger, water side heat exchanger, and refrigerant circuit control and safety components.

The HCA is dimensionally identical to the original for a fast, easy, and trouble-free installation. Quality components, careful design and testing and the latest in environment friendly technology mean long unit life, user satisfaction and lower energy costs. Consider the extensive list of standard features which includes: powder painted drain pan, refrigerant circuit access ports, air filter, pull handle, compressor-protected suction accumulator, evaporator freeze protection, water coil freeze stat, high-pressure over protection, and lock out circuit*. Adirondack-Aire is the replacement solution for upgrading old, worn out, inefficient original chassis. Cold Point Corp. backs the HCA with a customer friendly one-year parts and labor warranty and five-year compressor warranty, (see Warranty document for details).

* Model specific. May include lock out circuit, five minute anti-short cycle timer or interconnect control utilizing control panel logics.

Standard Features:

- Made in the USA
- Designed for easy installation and compatibility. Dimensionally identical to original Singer/McQuay chassis.
- ETL safety labeled
- Quiet, durable, and efficient compressor with built-in pressure and temperature protection
- Heavy gauge G90 galvanized steel construction
- Powder painted drain pan
- High efficiency copper tube-aluminum fin evaporator coil
- High efficiency coaxial condenser coil with low water-side pressure drop
- Lock out circuit* with reset at thermostat or circuit breaker
- High Pressure switch
- Frost-free cooling
- Water coil freeze protection
- Refrigerant circuit access ports
- Precision selected capillary tube refrigerant control
- Positive shift reversing valve
- Suction Accumulator
- Precision charged with zerOzone R-410A refrigerant
- 1/2 Inch FPT water connections
- Chassis pull handle facilitates easy chassis removal and handling
- 1 Inch fiberglass or natural fiber air filter

Electrical Data

Model	Compressor Type	Voltage Volt-Hz-Ph	RLA	LRA	Total Amps	Ckt Amps	Max Fuse	Min Volts
HCA-08	Rotary	208/230/60/1	3.0	15.0	3.0	4.0	15	197
HCA-08	Rotary	265/60/1	2.7	11.0	2.7	4.0	15	240
HCA-10	Rotary	208/230/60/1	3.7	22.0	3.7	5.0	15	197
HCA-10	Rotary	265/60/1	3.5	22.0	3.5	5.0	15	240
HCA-12	Rotary	208/230/60/1	4.7	25.0	4.7	6.0	15	197
HCA-12	Rotary	265/60/1	4.2	22.0	4.2	6.0	15	240
HCA-15	Rotary	208/230/60/1	5.6	29.0	5.6	7.0	15	197
HCA-15	Rotary	265/60/1	5.0	28.0	5.0	6.0	15	240
HCA-20	Rotary	208/230/60/1	7.4	33.0	7.4	10.0	15	197
HCA-20	Rotary	265/60/1	6.0	28.0	6.0	8.0	15	240
HCA-24	Recip.	208/230/60/1	7.4	43.0	7.4	10.0	15	197
HCA-24	Recip.	265/60/1	6.7	46.0	6.7	8.0	15	240



HCA CHASSIS APPLICATION & BENEFITS

Fast and Easy Replacement

The Adirondack-Aire HCA series zerOzone replacement chassis fits the existing Singer/McQuay HC room cabinets and works with the existing blower section and control box without modification. Because the chassis dimensions and construction details are like the original, replacement work is fast and easy. The chassis installs without the need for water loop shut-down or draining. A chassis pull handle is provided to facilitate easy removal and handling. Water, drain and electrical connections line right up to the original installation. The electrical connectors plug directly into the control box connectors. Using Adirondack-Aire replacements

eliminates the need for room renovation, redecorating, and piping changes and is the solution that gets your property back in service quickly and at the lowest total cost.

Damage Protection

The standard high-pressure switch and evaporator coil freeze protection stops unit operation before damage occurs, should airflow become reduced or obstructed due to dirty coils, obstructed airflow, or motor failure or lock up. A freezestat protects the water coil from freeze damage due to water temperature or flow problems. The water coil is designed for low water-side pressure drop, eliminating potential pump sizing and water flow problems.

Options and Accessories

- Blower sections
- Return air panels
- Control options
- 115V, 265V/277V (Availability varies by model sizes)
- Hose kits
- Flow control valve

Performance Ratings*

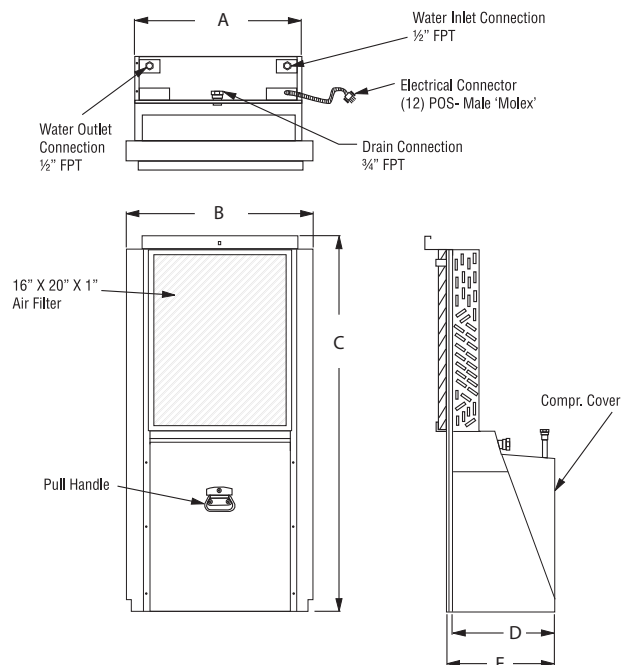
Model	Cool Btuh*	Sens Btuh	EER*	Heat Btuh*	COP*	CFM (Design)	GPM	Coil PD	Refrigerant
HCA-08	8,300	5,800	14.1	9,800	4.4	250	2.0	1.2'	R-410A
HCA-10	9,800	7,200	13.4	11,900	4.2	315	2.4	1.8'	R-410A
HCA-12	12,300	9,400	12.6	15,000	4.2	400	3.0	3.4'	R-410A
HCA-15	15,600	12,100	15.6	17,500	4.6	550	3.0	3.4'	R-410A
HCA-20	20,600	15,000	14.5	23,200	4.4	635	4.5	3.2'	R-410A
HCA-24	26,000	18,800	14.6	29,100	4.4	800	6.0	6.4'	R-410A

Continuous engineering improvements may result in performance changes without notice.

* Includes 1250Btu/1000 CFM fan heat and 365w/1000 CFM fan power. Fan power and pumping corrections are not included for rating purposes. 208v data shown. 115v and 265v ratings may vary.

Unit Sizes

Model	A	B	C	D	E	Chassis Weight (lbs)
	Inches					
HCA-08	17 5/8	18 3/4	41	12	12 3/4	75
HCA-10	17 5/8	18 3/4	41	12	12 3/4	80
HCA-12	17 5/8	18 3/4	41	12	12 3/4	85
HCA-15	17 5/8	18 3/4	41	12	12 3/4	90
HCA-20	17 5/8	18 3/4	41	12	12 3/4	105
HCA-24	17 5/8	18 3/4	41	12	12 3/4	125



INNOVATIVE HEATING AND COOLING SOLUTIONS

Cold Point equipment has been specified in hundreds of projects in these and other applications:
Direct Replacement | New Construction | Renovation | Commercial & Residential Solutions

Cold Point values reliability as much as you

Your Cold Point sales representative knows their reputation is on the line with every sale. Therefore, they are as personally invested in your comfort as you are, and take great pride in creating your perfect indoor environment.

Rest comfortably, knowing Cold Point stands behind our products

The Cold Point Corporation backs our products with a standard warranty that includes labor for the entire first year of ownership. Registered Limited Warranty terms include: 12 month limited warranty on components, 60 month limited warranty on all unit compressors from the date of original installation OR 15 months limited warranty on components, 63 month limited warranty on all unit compressors from the date of original sale, whichever comes first. For all coverage options and complete coverage terms, check with your local Cold Point representative for full details.

Industry-leading expertise

Cold Point Corporation is the industry-leading supplier of aftermarket comfort solutions for commercial and residential applications. We have over 18 years of experience developing OEM-style replacement products to keep you happy and comfortable. Whether it is a water source heat pump application or an air source PTAC system, Cold Point has the knowledge and products to restore your system to its original operating condition.

Reliable comfort products backed by the industry experts in OEM-style replacement units

To learn more about how the Cold Point Corporation can help you save time and money on your next project, contact your local Cold Point representative. Call **315-339-2331** to speak with one of our specialists, or e-mail your request to info@coldpointcorp.com.

Your Cold Point Representative:



510 Henry Street • Rome, New York 13440
Phone (315) 339-2331 • Fax (315) 339-2358
www.ColdPointCorp.com

©2023 Cold Point Corp. All rights reserved.



rev. 09-23 CPL005