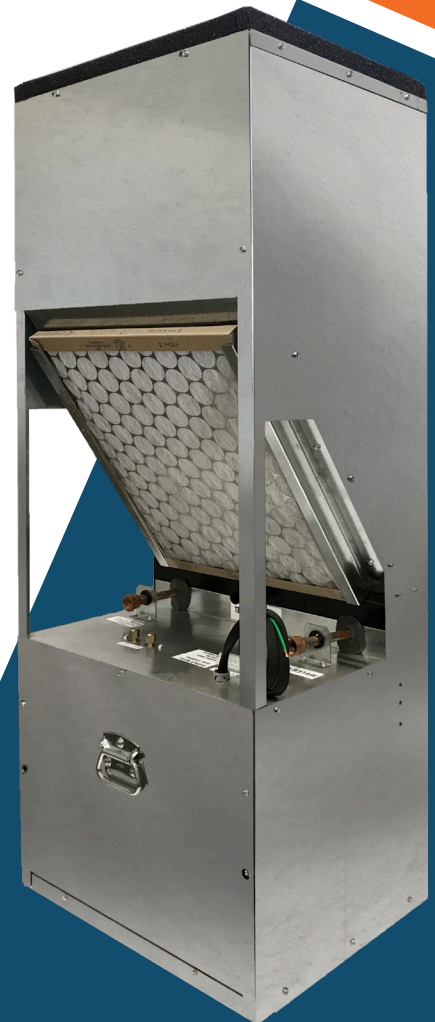


ADIRONDACK AIR

Series VF

Singer / McQuay VF/VP/VG

Application Flexible | Fast and Easy Replacement | Damage Protection



ADIRONDACK-AIRE VF CHASSIS SERIES

Replaces Singer/McQuay VF/VP/VG

The Adirondack-Aire VF Series zerOzone replacement chassis provides environment friendly, high efficiency cooling and heating where individual, quiet control is a priority. This application flexible unit is also a direct replacement for Singer/McQuay small frame (models 070, 090, 140, 200, 240) and large frame (models 260, 330, 400) VF/VP/VG series vertical stacked water source chassis. VF and VP models are heat pumps. The VG is cooling only. The chassis is a part of a complete system, which consists of the chassis with blower, control box, and furred-in room cabinet with risers. The chassis contains the compressor, blower, air side heat exchanger, water side heat exchanger, and refrigerant circuit control and safety components.

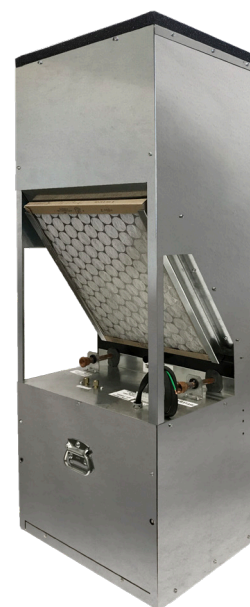
Both chassis sizes are dimensionally identical to the original for a fast, easy, and trouble-free installation. Quality components, careful design and testing and the latest in environment friendly technology mean long unit life, user satisfaction, and lower energy costs. Consider the extensive list of standard features which includes: powder painted drain pan, refrigerant circuit access ports, air filter, pull handle, compressor protected suction accumulator, high efficiency PSC blower motor and dynamically balanced DWDI blower wheel, evaporator freeze protection, water coil freezestat, high pressure over protection and lockout circuit. Adirondack-Aire is the replacement solution for upgrading old, worn out, inefficient original chassis. Cold Point Corp. backs the VF with a customer friendly one-year parts and labor warranty and five year compressor warranty (see Warranty document for details).

Standard Features:

- Made in the USA
- Designed for easy installation and compatibility. Dimensionally identical to original Singer/McQuay chassis
- ETL safety Labeled
- Quiet, durable, and efficient compressor with built-in pressure and temperature protection
- Heavy gauge G90 galvanized steel construction
- Powder painted drain pan
- High efficiency copper tube-aluminum fin evaporator coil
- High efficiency coaxial condenser coil with low water-side pressure drop
- DWDI centrifugal blower with high efficiency PSC motor
- Lock out circuit with reset at thermostat or circuit breaker
- High pressure switch
- Water coil freeze protection
- Refrigerant circuit access ports

Electrical Data

| Model | Compressor Type | Voltage Volt-Hz-Ph | Fan HP | Fan Amps | RLA | LRA | Total Amps | Ckt Amps | Max Fuse | Min Volts |
|-------|-----------------|--------------------|--------|----------|------|------|------------|----------|----------|-----------|
| VF-10 | Rotary | 208/230/60/1 | 1/10 | 0.5 | 3.7 | 22.0 | 4.2 | 5.1 | 15 | 197 |
| VF-10 | Rotary | 265/60/1 | 1/10 | 0.5 | 3.5 | 22.0 | 4.0 | 4.9 | 15 | 240 |
| VF-12 | Rotary | 208/230/60/1 | 1/10 | 0.5 | 4.7 | 25.0 | 5.2 | 7.0 | 15 | 197 |
| VF-12 | Rotary | 265/60/1 | 1/10 | 0.5 | 4.2 | 22.0 | 4.2 | 5.3 | 15 | 240 |
| VF-15 | Rotary | 208/230/60/1 | 1/10 | 0.6 | 5.6 | 29.0 | 6.2 | 9.0 | 15 | 197 |
| VF-15 | Rotary | 265/60/1 | 1/10 | 0.4 | 5.0 | 28.0 | 5.4 | 6.6 | 15 | 240 |
| VF-20 | Rotary | 208/230/60/1 | 1/5 | 1.2 | 7.4 | 33.0 | 8.6 | 11.0 | 15 | 197 |
| VF-20 | Rotary | 265/60/1 | 1/5 | 0.6 | 6.0 | 28.0 | 6.6 | 9.0 | 15 | 240 |
| VF-24 | Recip. | 208/230/60/1 | 1/5 | 1.2 | 7.4 | 43.0 | 8.6 | 11.0 | 15 | 197 |
| VF-24 | Recip. | 265/60/1 | 1/5 | 0.6 | 6.7 | 46.0 | 7.3 | 9.0 | 15 | 240 |
| VF-26 | Recip. | 208/230/60/1 | 1/3 | 2.7 | 8.0 | 43.0 | 10.7 | 13.0 | 20 | 197 |
| VF-26 | Recip. | 265/60/1 | 1/3 | 1.9 | 7.8 | 58.0 | 9.7 | 11.7 | 15 | 240 |
| VF-26 | Recip. | 208/230/60/3 | 1/3 | 2.7 | 6.1 | 63.0 | 8.8 | 11.0 | 20 | 197 |
| VF-26 | Recip. | 460/60/3 | 1/3 | 0.8 | 3.1 | 30.0 | 3.9 | 5.0 | 15 | 414 |
| VF-33 | Recip. | 208/230/60/1 | 1/3 | 2.7 | 11.6 | 74.0 | 14.3 | 17.2 | 25 | 197 |
| VF-33 | Recip. | 265/60/1 | 1/3 | 1.9 | 9.9 | 67.0 | 11.8 | 15.0 | 15 | 240 |
| VF-33 | Recip. | 208/230/60/3 | 1/3 | 2.7 | 7.4 | 68.0 | 10.1 | 12.0 | 15 | 197 |
| VF-33 | Recip. | 460/60/3 | 1/3 | 0.8 | 3.8 | 34.0 | 4.2 | 6.0 | 15 | 414 |
| VF-40 | Recip. | 208/230/60/1 | 1/2 | 3.4 | 13.6 | 88.0 | 17.0 | 21.0 | 35 | 197 |
| VF-40 | Recip. | 265/60/1 | 1/2 | 2.5 | 12.0 | 67.0 | 14.5 | 18.0 | 20 | 240 |
| VF-40 | Recip. | 208/230/60/3 | 1/2 | 3.4 | 8.6 | 70.0 | 12.0 | 15.0 | 15 | 197 |
| VF-40 | Recip. | 460/60/3 | 1/2 | 1.2 | 4.4 | 34.0 | 5.6 | 7.0 | 15 | 414 |



VF CHASSIS APPLICATION & BENEFITS

Fast and Easy Replacement

The Adirondack-Aire VF series zerOzone replacement chassis fits the existing Singer/McQuay room cabinets and works with the existing control box without modification. Because the chassis dimensions and construction details are like the original, replacement work is fast and easy. The chassis installs without the need for water loop shut-down or draining. Water, drain and electrical connections line right up to the original installation. The electrical connectors plug directly into the control box connectors. A chassis pull handle is provided to facilitate easy

removal and handling. Using Adirondack-Aire replacements eliminates the need for room renovation, redecorating, and piping changes and is the solution that gets your property back in service quickly and at the lowest total cost.

Damage Protection

The standard high-pressure switch and evaporator freeze protection stops unit operation before damage occurs should airflow become reduced or obstructed due to dirty coils, obstructed airflow, or motor failures or lock-up. A freezestat protects the water coil from freeze damage due to water

temperature or flow problems. The water coil is designed for low water-side pressure drop eliminating potential pump sizing and water flow problems.

Options and Accessories

- 115V, 208/230V 3PH, 265/277V, 460V 3PH (Availability varies by model size)
- Return air panels
- Control options
- Flow control valve
- Hose kits
- VP option

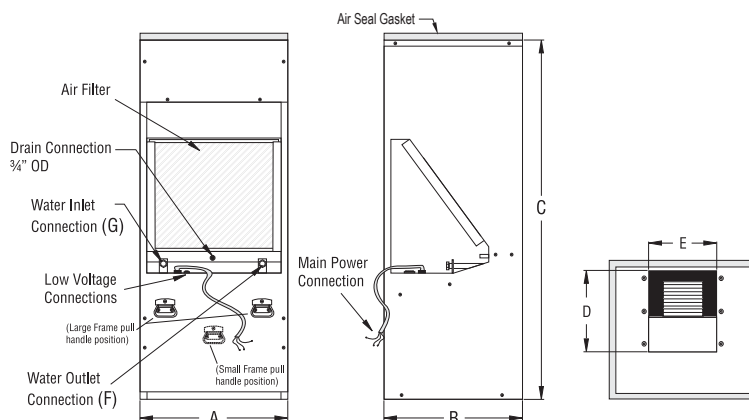
Performance Ratings

| Model | Cool Btuh | Sens Btuh | EER | Heat Btuh | COP | CFM (Nominal) | GPM | Coil PD | Refrigerant |
|-------|-----------|-----------|------|-----------|-----|---------------|------|---------|-------------|
| VF-10 | 9,500 | 7,200 | 13.3 | 12,200 | 4.3 | 305 | 2.4 | 1.8' | R-410A |
| VF-12 | 11,000 | 7,700 | 13.1 | 13,900 | 4.2 | 310 | 3.0 | 3.4' | R-410A |
| VF-15 | 14,100 | 10,300 | 12.7 | 18,200 | 4.4 | 540 | 3.0 | 3.4' | R-410A |
| VF-20 | 18,300 | 14,500 | 14.0 | 22,000 | 4.5 | 640 | 4.5 | 3.2' | R-410A |
| VF-24 | 25,500 | 18,000 | 15.5 | 28,200 | 4.3 | 725 | 6.0 | 6.4' | R-410A |
| VF-26 | 26,000 | 19,000 | 14.2 | 26,000 | 4.2 | 870 | 7.0 | 7.0' | R-410A |
| VF-33 | 32,000 | 25,000 | 12.9 | 42,000 | 4.5 | 1,090 | 9.0 | 3.9' | R-410A |
| VF-40 | 37,000 | 28,000 | 12.0 | 48,500 | 4.4 | 1,270 | 10.5 | 4.8' | R-410A |

Continuous engineering improvements may result in performance changes without notice.

Unit Sizes

| Model | Frame Size | A | B | C | D | E | F | G | Filter Size | Chassis Weight (lbs) |
|-------|------------|--------|--------|--------|--------|-------|---------|---------|-----------------|----------------------|
| | | Inches | | | | | | | | |
| VF-10 | Small | 18 1/8 | 15 | 46 1/2 | 3 3/4 | 8 1/8 | 1/2 FPT | 1/2 FPT | 15 1/2 x 18 x 1 | 120 |
| VF-12 | Small | 18 1/8 | 15 | 46 1/2 | 3 3/4 | 8 1/8 | 1/2 FPT | 1/2 FPT | 15 1/2 x 18 x 1 | 120 |
| VF-15 | Small | 18 1/8 | 15 | 46 1/2 | 5 | 8 1/8 | 1/2 FPT | 1/2 FPT | 15 1/2 x 18 x 1 | 151 |
| VF-20 | Small | 18 1/8 | 15 | 46 1/2 | 10 1/4 | 8 1/4 | 1/2 FPT | 1/2 FPT | 15 1/2 x 18 x 1 | 161 |
| VF-24 | Small | 18 1/8 | 15 | 46 1/2 | 10 1/4 | 8 1/4 | 1/2 FPT | 1/2 FPT | 15 1/2 x 18 x 1 | 200 |
| VF-26 | Large | 22 | 20 5/8 | 53 1/2 | 10 1/4 | 8 1/4 | 3/4 FPT | 3/4 FPT | 20 x 22 x 1 | 200 |
| VF-33 | Large | 22 | 20 5/8 | 53 1/2 | 10 1/4 | 8 1/4 | 3/4 FPT | 3/4 FPT | 20 x 22 x 1 | 220 |
| VF-40 | Large | 22 | 20 5/8 | 53 1/2 | 10 1/4 | 8 1/4 | 3/4 FPT | 3/4 FPT | 20 x 22 x 1 | 255 |



INNOVATIVE HEATING AND COOLING SOLUTIONS

Cold Point equipment has been specified in hundreds of projects in these and other applications:
Direct Replacement | New Construction | Renovation | Commercial & Residential Solutions

Cold Point values reliability as much as you

Your Cold Point sales representative knows their reputation is on the line with every sale. Therefore, they are as personally invested in your comfort as you are, and take great pride in creating your perfect indoor environment.

Rest comfortably, knowing Cold Point stands behind our products

The Cold Point Corporation backs our products with a standard warranty that includes labor for the entire first year of ownership. Registered Limited Warranty terms include: 12 month limited warranty on components, 60 month limited warranty on all unit compressors from the date of original installation OR 15 months limited warranty on components, 63 month limited warranty on all unit compressors from the date of original sale, whichever comes first. For all coverage options and complete coverage terms, check with your local Cold Point representative for full details.

Industry-leading expertise

Cold Point Corporation is the industry-leading supplier of aftermarket comfort solutions for commercial and residential applications. We have over 18 years of experience developing OEM-style replacement products to keep you happy and comfortable. Whether it is a water source heat pump application or an air source PTAC system, Cold Point has the knowledge and products to restore your system to its original operating condition.

Reliable comfort products backed by the industry experts in OEM-style replacement units

To learn more about how the Cold Point Corporation can help you save time and money on your next project, contact your local Cold Point representative. Call **315-339-2331** to speak with one of our specialists, or e-mail your request to info@coldpointcorp.com.

Your Cold Point Representative:



510 Henry Street • Rome, New York 13440
Phone (315) 339-2331 • Fax (315) 339-2358
www.ColdPointCorp.com

©2023 Cold Point Corp. All rights reserved.



rev. 09-23 CPL007